

CERTIFICATE OF CONFORMITY

Issue: **01**Certificate number: **ESL-23-11577**

Pursuant to provisions of the Certification scheme on Global Conformity Certification of fire and life safety products (CS-GCC, scheme type 5), Emirates Safety Laboratory hereby grants this certificate of conformity to the product described below:

CTX INDIRECT DRY POWDER FIRE SUPPRESSION SYSTEM

(Refer to attached appendix for product and configuration details)

Placed on the market under the name or trade mark of:

Reacton Fire Suppression Ltd
14 Baynes Place, Waterhouse Business Park
Chelmsford, United Kingdom

Manufactured in the following location(s):

Reacton Fire Suppression Ltd
14 Baynes Place, Waterhouse Business Park
Chelmsford, United Kingdom

Complies with the requirements of the standard(s) as detailed below:

SASO 2946:2020 – Annex 8, Buses – Requirements of Construction

The certificate was first issued on **29 December 2023** and remains valid under the condition that the Certificate Holder fulfils the requirements of the agreement on certification supervision no. **0171/ESL/GCC/2023**.


Signed for ESLTomasz Kielbasa
Certification Manager29 December 2023
Date of issue28 December 2026
Expiry date

This Certificate remains valid till date stated above, unless suspended, withdrawn or terminated. This certificate will not be valid if the manufacturer makes any changes affecting product conformity, which have not been notified to, and agreed in writing with ESL. This Certificate is an electronic document and shall not be reproduced (in any form) except in full. Certificate holder is under an obligation to make references to issued certificate only in conjunction with product(s) that conform to evaluated product construction. Prior to use of this certificate, please verify its validity at ESL directory

Appendix to Certificate of Conformity

No: **ESL-23-11576**

Issue: **01**

System overview:



S. No	Product parameters	Details
1.	Tested system identification	RE-CTXCE-054-040-ABC
2.	Extinguishing agent	FUREX 770 ABC dry powder
3.	Extinguishing agent mass required for a 4 m ³ engine compartment	4 kg
4.	Approved nozzle configuration required for a 4 m ³ engine compartment	1) 4 kg - 4 nozzles 2) 4 kg - 3 nozzles
5.	Approved nozzle type and spray angle	LR-type nozzles with spray angle of 60°
6.	Approved detection system	R108 VS tube
7.	Propellant	Nitrogen
8.	Operating temperatures	-20° C to +60° C
9.	System pressure	25 bar

The certified system is suitable for scaling with engine compartment gross volumes ranging between 2 to 6 m³ - the scalability of this system to accommodate various engine compartment sizes shall align with the scaling provisions outlined in Annex 1 of SASO 2946:2020.

Scaling the system results in identification changes following the pattern: RE-CTXCE-xxx-yyy-ABC, where "xxx" identifies cylinder volume, and "yyy" identifies mass of the agent applied.

System components

S. No	Components	Part numbers
1.	ABC dry powder	RE7101
2.	Discharge nozzle	RE7145
3.	Nozzle blow-off cap	RE7144
4.	Component bracket	RE7234
5.	Discharge Hose	RE6964 - 3.00m Hose
		RE6965 - 2.50m Hose
		RE6966 - 2.00m Hose
		RE6967 - 1.50m Hose
		RE6968 - 1.00m Hose
		RE6944 - 0.75m Hose
		RE6969 - 0.50m Hose
		RE6942 - 0.25m Hose

Signed for ESL

Tomasz Kielbasa
Certification Manager

29 December 2023
Date of issue

28 December 2026
Expiry date

This Certificate remains valid till date stated above, unless suspended, withdrawn or terminated. This certificate will not be valid if the manufacturer makes any changes affecting product conformity, which have not been notified to, and agreed in writing with ESL. This Certificate is an electronic document and shall not be reproduced (in any form) except in full. Certificate holder is under an obligation to make references to issued certificate only in conjunction with product(s) that conform to evaluated product construction. Prior to use of this certificate, please verify its validity at ESL.directory

Appendix to Certificate of Conformity

No: **ESL-23-11576**

Issue: **01**

S. No	Components	Part numbers
6.	Hose fittings	RE6947 - 45° Swivel Elbow 3/8" Male - 3/8" BSPT
		RE6948 - 90° Swivel Elbow 3/8" Male - 3/8" BSPT
		RE6951 - Male Bulkhead
		RE6956 - Flat Washer x 100
		RE6957 - Shakeproof Washer x 100
		RE6983 - Elbow - 3/8" Male - 3/8" Female
		RE6985 - Tee - Equal - 3/8" male
		RE6987 - Adaptor 3/8" P to 3/8" P
7.	Detection tube	RE7400 - Adaptor - 3/8" Cone - 1/4"
8.	QR twin seal fittings	RE5050
		RE7041 - Stud: 1/8" Threaded - 6/4mm Tube
		RE7014 - Elbow: 1/8" Threaded - 6/4mm Tube
		RE7013 - Tee: 1/8" Threaded - 6/4mm Tube
		RE7011 - In-Line: 6/4mm Tube Only
		RE7008 - Tee: 6/4mm Tube Only
9.	End of line (EOL)	RE7315 - Blanking Cap: 6/4mm Tube
10.	Manual actuator	RE7243-25-DRY
11.	Replacement Diaphragm	RE7270-25-DRY
12.	Tamper Proof Plastic Tie	RE7254
13.	Pressure switch	RE7126
		RE5004 - N/O&N/C 18 Bar F, 1/8", 20cm Cable
		RE5003 - N/O&N/C 5 Bar F, 1/8", 20cm Cable
		RE5010 - N/O&N/C 3 Bar R, 1/8", 20cm Cable
14.	System labels	RE5015 - N/O&N/C 18 Bar F, M10 x1 Sintered Plug
		RE6110 - Adhesive Caution Label 297 x 210
		RE6111 - Adhesive Do not Kink Label 58 x 72
		RE6112 - Adhesive Manual Activation Label 77 x 210
		RE6112 - Maintenance Label
15.	In-cab fascia - bus	RE6133 - SASO 2946:2020 Conformity Label
		RE7167-BUS




Tomasz Kielbasa
Certification Manager

29 December 2023
Date of issue

28 December 2026
Expiry date

This Certificate remains valid till date stated above, unless suspended, withdrawn or terminated. This certificate will not be valid if the manufacturer makes any changes affecting product conformity, which have not been notified to, and agreed in writing with ESL. This Certificate is an electronic document and shall not be reproduced (in any form) except in full. Certificate holder is under an obligation to make references to issued certificate only in conjunction with product(s) that conform to evaluated product construction. Prior to use of this certificate, please verify its validity at ESL.directory

Appendix to Certificate of Conformity

No: **ESL-23-11576**

Issue: **01**

Nozzle configuration:

The following identified drawing has been approved for installation of the CTX indirect fire suppression system.

S. No	Drawing identification	Revision	Date	Nozzle configuration
1	DRW-SAS2946-1	A	26.10.2023	Four nozzle configuration
2	DRW-SAS2946-2	A	26.10.2023	Three nozzle configuration

Illustration drawings below

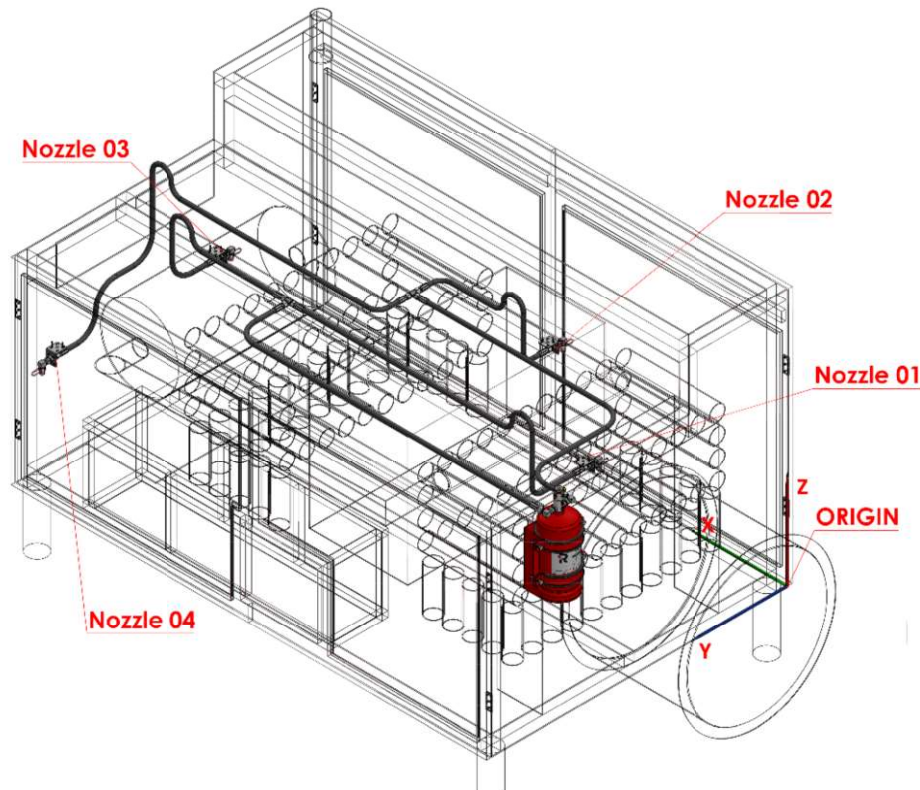


Fig. 1. Four nozzle configuration




Signed for ESL

Tomasz Kielbasa
Certification Manager

29 December 2023
Date of issue

28 December 2026
Expiry date

This Certificate remains valid till date stated above, unless suspended, withdrawn or terminated. This certificate will not be valid if the manufacturer makes any changes affecting product conformity, which have not been notified to, and agreed in writing with ESL. This Certificate is an electronic document and shall not be reproduced (in any form) except in full. Certificate holder is under an obligation to make references to issued certificate only in conjunction with product(s) that conform to evaluated product construction. Prior to use of this certificate, please verify its validity at ESL.directory

Appendix to Certificate of Conformity

No: **ESL-23-11576**

Issue: **01**

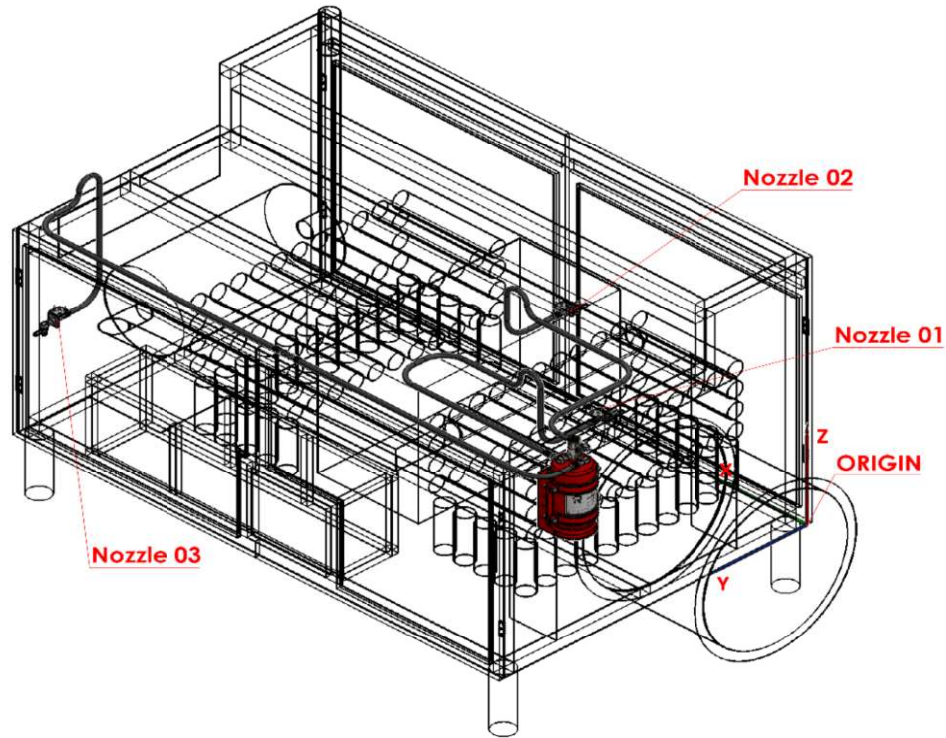


Fig. 2. Three nozzle configuration

Notes:

1. System parts identified shall not be allowed to change during product configuration.
2. Any deviations from the approved system configuration are not allowed and strictly prohibited.
3. The certified system shall not intended to be used for protecting engine compartments of school buses, the secure transport of persons (prisoners) and the carriage of injured or sick persons (ambulances).




Tomasz Kielbasa
Certification Manager

29 December 2023
Date of issue

28 December 2026
Expiry date

This Certificate remains valid till date stated above, unless suspended, withdrawn or terminated. This certificate will not be valid if the manufacturer makes any changes affecting product conformity, which have not been notified to, and agreed in writing with ESL. This Certificate is an electronic document and shall not be reproduced (in any form) except in full. Certificate holder is under an obligation to make references to issued certificate only in conjunction with product(s) that conform to evaluated product construction. Prior to use of this certificate, please verify its validity at ESL.directory